

HYDRA PLATFORMS

Self-Erecting, Self-Propelled, Under-Bridge
Aerial Access Platforms

SPECIFICATIONS FOR TRUCK MODEL HPT 13/43

HPT 13/43 Specs. English Metric

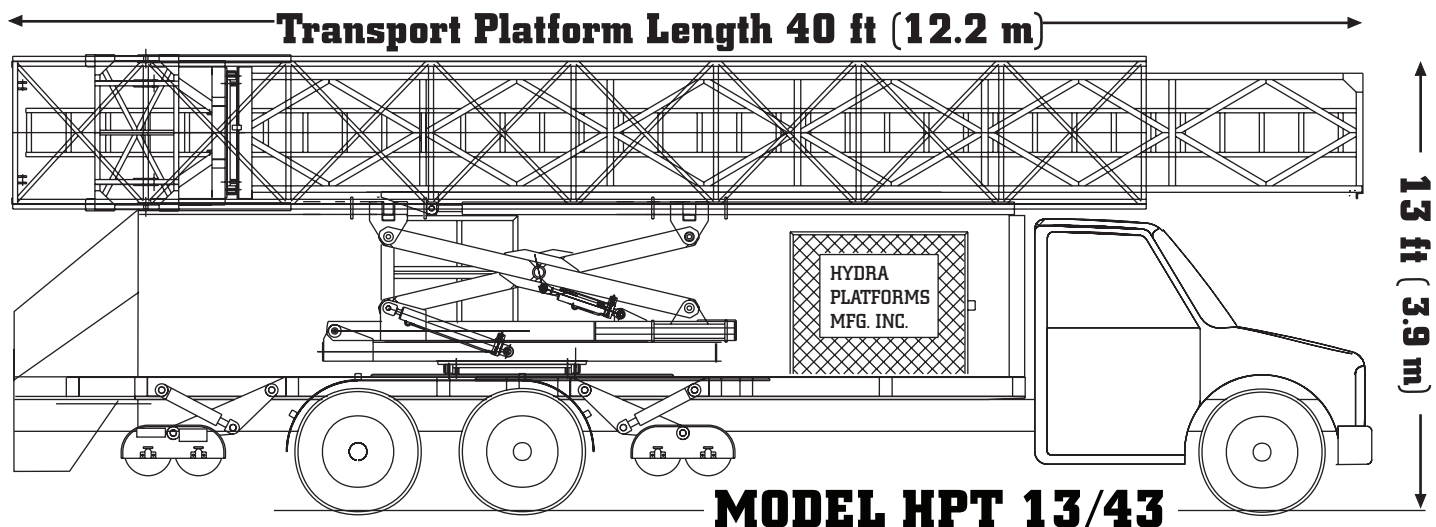
Platform Length	43 ft	13.1 m
Platform Width	3 ft 6 in	1.06 m
Platform Weight Capacity	1,400 lbs.	635 kg
Vertical Height Clearance	7 ft 8 in	2.3 m
Max. Lowering Depth	22 ft	6.7 m
Platform Rotation	180°	180°
Tower Separation Width	7 ft 8 in	2.3 m
Unit Length	40 ft	12.2 m
Unit Width	8 ft 2 in	2.45 m
Unit Height (transport pos.)	13 ft	3.9 m
Total Weight (approximate)	44,000 lbs.	19,958 kg
Hydraulic Pressure	2,800 psi	2,800 psi

- ▶ Four inboard hydraulic stabilizers
- ▶ Self-propelled by hydrostatic drive
- ▶ 5-minute, self-erecting in single lane
- ▶ Main hydraulic system; Truck Engine P.T.O. or Silenced Diesel generator with hydraulic pump
- ▶ Auxiliary hydraulic backup system; Diesel engine with Hydraulic pump or Truck Engine P.T.O.
- ▶ Towers 5° over center swing
- ▶ Control panels on platform and deck
- ▶ Voice communication system; platform to deck
- ▶ Optional Track Drive System for special applications

The most versatile under-bridge device for bridge inspections and under-bridge operations.

The Hydra Platform truck mounted model HPT 13/43 is a comprehensively equipped under-bridge access and work platform, mounted on a diesel powered truck.

- ▶ State-of-the-art under-bridge access platform
- ▶ #1 in the U.S.A. - Tested the Best
- ▶ 22 year 100% safety record "Since 1985"
- ▶ Meets all OSHA / ANSI / SIA safety codes
A92.2/1990 + A92.8/1993
- ▶ **Patented Tower Separation System offers unmatched versatility. Exclusively by Hydra Platforms**
- ▶ 2 separate hydraulic erection systems
- ▶ 13.1 m (43 ft) platform length
- ▶ 180 degree platform rotation
- ▶ 1,400 lbs. (635 kg) platform capacity
- ▶ Truck specs available upon request



FOR ADDITIONAL PLATFORM LENGTHS AND MODEL RANGE OF TRUCK MOUNTED UNDERBRIDGE ACCESS PLATFORMS, CONTACT HYDRA PLATFORMS FOR SPECIFICATION SHEETS

Hydra Platforms MFG., Inc.

1205 Galleria Blvd., Rock Hill SC 29730

Phone: 803.366.8195 Fax: 803.366.0603 Web: www.HydraPlatform.com